



News Forum Strömstad Interdisciplinary Academy

Content

Editor's corner: Anders Gustavsson	1
Report from Chairman and Vice-Chancellor.....	2
ISES Fellows Reward	5
Gudmund Bergqvist: The War in Ukraine.....	5
Per Flensburg: About discussion forums.....	6
Per Flensburg: Our new homepages.....	8

Editor's corner: Anders Gustavsson

Editor's corner

Anders Gustavsson

Vice-Chancellor and Information System Scientist Per Flensburg and **Educator and Chairman of the Board Åsa Morberg** informs about news within Strömstad Academy. Flensburg gives instructions on the use of Strömstad Academy's new discussion forum and the home pages.

Business economist Rune Wigblad will speak about *Maglev trains are enabling regional enlargement with socio-economic effects* at the international Maglev conference in Malmö on September 18-22.

Strömstad Academy's Honorary Professor Lars Broman will be the first Swede to be named Fellow of International Solar Energy Society ISES.

In the Reprint series SAR 5 **ethnologist Anders Gustavsson** has published *The Charismatic Religious Movement the Oas Movement in Sweden* <https://stromstadakademi.org/SAR/SAR-5.pdf>

In the Reprint Series 6 **ethnologist Anders Gustavsson** has published *Epidemics from the 19th Century to the 2020s in Scandinavia* <https://stromstadakademi.org/SAR/SAR-6.pdf>

Pediatrician Gudmund Bergqvist has made an appeal for support for Ukraine in the war against Russia.

Master in Public Health/Epidemiology Emma Bergqvist is a co-author of an article published in *Frontiers in Pediatrics* Factors associated with elevated SARS. Cov.2 immune response in children and adolescents.

I want to urge a previous call for all members to verify and complete their personal information on the Academy website. Also try to recruit new members to the Academy, not least young scholars. Please, send suggestions to **Vice-Chancellor Per Flensburg** per.flensburg@stromstadakademi.se

Redaktör: Anders Gustavsson
Layout: Per Flensburg

I wish new contributions to the September issue of the Newsletter sent to my e-mail address with deadline on 26 September 2024: anders.gustavsson@ikos.uio.-

[no](#). Send short articles, opinion articles and/or reviews of new scientific literature. Swedish contributions should have an English translation. Texts should be in Word- or Open Office format!

Please, also send contributions to the Academy's publication series Acta Academia Strömstadiensis, AAS, to peter@wahrborg.se, the video series SAV to: gudmundbergqvist@hotmail.com and the Reprint Series and the Free Series to: per.flensburg@stromstadakademi.se

Report from Chairman and Vice-Chancellor

August monthly report by Per Flensburg, Vice-Chancellor, and Åsa Morberg, Chairman of the Board

Working day, happy day

We have already reached August, which is the eighth month of the year in the Gregorian calendar and has 31 days. It contains the 213th to 243rd day of the year. The name comes from the Roman emperor Augustus and the month is called in Latin Augustus in the basic form and Augusti in connection with the date.

We hope you all had a great summer! Now we will soon have the month of September and then we will start the activities in Strömstad Academy. This financial year will be just like any other financial year, namely what we ourselves make of it.

Science festival 2025 decided, time and place.

The science festival takes place at Laholmen's hotel on the following dates: June 2-5. We need to get a discount negotiated so that members can book rooms. We are thinking of a similar arrangement this year: On Monday we have a members meeting in Fars Sal, possibly we have an installation and some lectures - mingle afterwards. Tuesday we have public lectures at Laholmen in a room with speakers. On Wednesday we either have more public lectures or parallel sessions for each theme, depending on how the themes have developed. Thursday morning we can have public lectures or something else exciting. Excursions have not been popular so it is doubtful if we will try it again.

Board work and calendar 24/25

When it comes to board meetings, we work in the same way as before. We have one board meeting per quarter, and in between we have working committee meetings, one or two working committee meetings. When the working committee has discussed the calendar, it is sent out to the Board and also posted online in the calendar on our website. When it comes to planning, we may of course need to change it sometimes. Changes can therefore occur and we must be prepared for that. We now have the annual meeting in the spring separate from the science festival. This is new. We have previously not received notice from those who are absent for various reasons. Now, those who do not intend to be present must notify us, so that a deputy can be called to duty. We absolutely need to record absences notified to the Board.

Questions that Sten Philipsson, our new Deputy Chairman brought up to think about and decide on are the following:

1. **The minutes/records.** How should they be designed in the future? Should they be limited to decision notes or should preparatory discussion and other circumstances also be on the records? Which records should be available to members and which only to elected officials? And in what way should they be available?

2. Archives. In the long term, how should we archive the documents that come in and go out, e.g. records. Some form of clear policy in this area would be helpful, both for the Board but also for our members. We also need to specify principles for the accessibility of archived documents.

3. Thematic groups. John or Anders (or both) mentioned the importance of creating functioning thematic groups in different business areas. One such applied, e.g. the task of developing principles for the production of anthologies within the Academy. For those who have (like me from a distance, however) followed the discussion around Power Theory, the need for clear action norms appears to be quite large.

Are digital member meetings important for Strömstad Academy?

During the science festival, we held a members' meeting which was an opportunity for everyone to participate in the conversations about the development of the Academy. It was a very successful meeting. We should try to organize member meetings every now and then. Who takes the initiative naturally depends on what the members' meeting should be about. If there are academic issues, the Vice-Chancellor takes the initiative. If there are board issues, the Chairman takes the initiative. If it is Nyhetsforum, the Editor takes the initiative. If there are publication issues, the Chairman of the Editorial Committee can take the initiative. The purpose of member meetings is that several members have a forum where to be heard. Without member meetings, we have only given votes to elected representatives and that is not good. There must be an opportunity for all members to let their voices be heard.

As part of engaging as many members as possible and realizing Pareto refinement (the 80-20 rule), we have once again installed a discussion forum. More on this in another post in this news forum.

Theme groups – an exciting innovation

We will introduce themed groups as they form. In the last newsletter this was discussed and a theme group, namely technology evaluation under the leadership of Rune Wigblad, is already underway. But there is room for several:

- Energy supply
- Climate threats
- School
- Teacher training
- Drugs
- Surgery

One can also think of temporary groups around some completely different phenomenon. We have heard that somewhere they started an interdisciplinary project around the "eye". In such a project, one can imagine that physicians, ethnologists, literary scholars, historians, religious scholars etc. collaborate.

At first, the collaboration will probably be mostly multidisciplinary, but as you get to know each other and each other's subjects, there are opportunities for deeper collaborations.

The home page/website

Since August 7, we have a new website for Academy members: <https://stromstadakademi.se> and in September we will have a new website for external visitors: <https://stromstadakademi.se> It will look something like this: <https://tvartankt.se/nytest>. More about this elsewhere in this newsletter. Points of view are of course welcome. The old page <http://stromstadakademi.se> will no longer be updated, so use the new one!

Archives

Sten Philipson raises some important questions. The issue of minutes/records and theme groups is suitably discussed at a board meeting and a member meeting. Our opinion is that it should be as simple as possible without unnecessary administration. The issue of archives, however, needs to be investigated more thoroughly.

There is a collaboration between informatics and archival knowledge where one studies how to preserve digital information in the long term. There are two research groups dealing with this: One at the central university and one at Luleå University of Technology. A number of theses have been written on the subject and Per has been the opponent for three of them.

We first have a legal aspect. We are not sure about that, but we do not think a non-profit association is obliged to archive its documents, even though many do. In our case, minutes/records are archived digitally in a space called Google Drive. It is Marylou who does this and via the internal pages on the website the members can access the minutes/records. You can divide the space so that certain groups only have access to certain information. But there are two problems associated with this:

1. It is a free space not very big, in total it is 15 GB and it is quite full.
2. Some person, probably Lasse, has registered it with Google and he is the main person for it.

We have already solved the first problem when we acquired Google Meet. This was accompanied by a space of 1 TB, and we will not replenish that for a foreseeable future. But this costs money and Per is the owner. But technically, this space is owned by the email address: rektorstromstakademi@gmail.com . If you log in to Google with this address, you get access to the entire space. The idea is that whoever is the Vice-Chancellor should take care of the account. However, anyone who has access to the login details can use the account and its resources. But the space of 1 TB is not used today.

The Google space costs around SEK 2,000/year and it is mainly used for digital meetings. But there have been problems getting in at times so we are debating switching to Zoom.

We have a space of 200 GB on our web hosting. Pretty much all of our material can be found there. Couldn't this be our archive? In principle, it should work, you simply put all the documents on the server. The problem is twofold:

1. Know which documents are in the archive
2. Make the documents available

For point 1, it is important to know which documents to save and who is to save them. Already today we have AAS, FSS, SAR and SAP on the web hosting. However, it is worse with SAV because the films themselves can be found in many different places. The films are also quite large, usually a couple of GB each, and this means that the space becomes full quite quickly. You could post them on YouTube, which we have done with some films. But YouTube is not a safe deposit box. Google may terminate a subscription at any time, especially if it will include as much material as we will have.

There are a number of cloud services you can buy. Google drive, iCloud, Onedrive, Dropbox etc. These cost a couple of thousand per year and have their respective pros and cons. One of the better ones is Dropbox, which in the subscription version provides 2 TB, which should be enough for the foreseeable future. But here too, a Vice-Chancellor is needed who pays the subscription, which costs something between SEK 2,500-3,000 per year. However, there are business subscriptions that are more useful. The matter deserves to be investigated.

ISES Fellows Reward



ISES Fellows Award

On the occasion of EuroSun 2024, ISES will present the ISES Fellow Award for the year 2023.

ISES will be honored to present the ISES 2023 Fellow Award to Prof Lars Broman (Dalarna University + Strömstad Academy, Sweden).

Presented every two years, the ISES Fellow Award honours a member of ISES who has been a member for at least ten consecutive years and has served with distinction in the advancement of solar energy utilization by way of research, education, public service, and/or service to ISES.

Prof. Broman will be honoured for his 35+ years of dedicated work in the field of solar energy education and his dedicated support of the ISES mission.

Prof. Broman established the first undergraduate program in Solar Energy in Sweden and initiated the Solar Energy Research Center SERC in 1984. In 1989, he co-established the International Association for Solar Energy Education IASEE and initiated the European Solar Engineering School ESES in 1999. He also established the International Symposium of Renewable Energy Education, ISREE in 1991 and 2020, Prof. Broman was named a Pioneer of Solar Energy Research by ISES. At ISES, Prof. Broman continues his work e.g. as a member of the ISES museums committee which created the ISES Online Solar Energy Museum.

Gudmund Bergqvist: The War in Ukraine

The War in Ukraine

Gudmund Bergqvist

The war in Ukraine after Russia's full-scale invasion has now been going on for 2 1/2 years. In recent years, the fronts have largely been frozen, although Russia has made some small progress at the cost of losing 1000 soldiers per day. Ukraine's ability to defend itself was for a long time severely limited by the fact that the United States, due to opposition from parts of the Republican Party, had not paid out/made good on the promised arms deliveries and that the EU build-up of the defense industry had been slow. Now weapons have arrived, most recently also F16 fighter aircrafts. Ukraine's major offensive last year failed due to the fact that the Ukrainian Armed Forces were not able to carry out a major offensive, of the Russians blowing up dams and putting large parts of the front and large parts of other areas under water - another war crime.

In August this year, Ukraine has carried out an offensive north of Charkov/Charkiv into Russia and apparently got through the Russian defenses quite easily and advanced 30 kilometers into the Kursk region of Russia. This shows the usefulness of supporting Ukraine with new weapons and that they should be able to defend themselves not only with "one hand behind their back" The war in Ukraine is part of a geopolitical struggle between autho-

ritarian states and democrats. It is therefore extremely important that Russia loses both to the international situation but also to the people of Russia who can hope to develop the country into democracy and a rule of law state.

Given the uncertainty surrounding the future support to Ukraine from a possible Trump-Vance administration, Europe must stand firm and continue its support, strengthen its defense, build up its arms industry and continue cooperation within NATO. Several voices are raised about both increasing defense appropriations to 4 % of GDP and also allocating 1 % more of GDP to Ukraine, which some Baltic states have already done. The EU economic strength is many times greater than Russia's and this should be enough to force a Russian defeat even in the event that the United States under a Trump administration were to withdraw or sharply reduce its aid. So hang in there. Stand firm and support in different ways Ukraine through United 24 with contributions to either military, medical or civilian activities/projects.

Finally, I would also like to point out

Praeterea censeo Kaliningradum esse demilitari

Per Flensburg: About discussion forums

About discussion forums

As I said, we have once again got a discussion forum installed. In this article, I will briefly go through what a discussion forum is and how it works. It is by no means a new phenomenon, already when the internet was young there were discussion forums or bulletin board systems (BBS) as they were called. The first BBS I came into contact with was the KOM system and that was in the late 70's. Basically, it works the same today.

The principle of a BBS is simple. Someone makes a post and others comment on this. The post has a title and it belongs to a more extensive discussion. In our BBS we have categories at the highest level. We have two main categories: the Academy and the Association. In these categories I have defined a number of forums/fora that deal with different things. In each forum there are a number of topics and in these there are a number of posts and comments on posts. In the setup below, I have made a sketch to illustrate how it might look. Of course, the hierarchy does not have to look exactly like the picture, it is only to be considered as an illustration. It is important, however, that there is an option for "Other" where things that fall outside the predetermined categories can be discussed. Thus, an other category is also needed where you can put things that are unclear.

Categories and forums/fora can only be defined by admin, i.e. by me and those who also have admin rights. If someone thinks a new forum or category is needed, tell an admin or raise the question under "other".

1. Academy
 - 1.1. Newsletter
 - 1.1.1. Contribution
 - 1.1.2. Comments
 - 1.2. Editorial Committee
 - 1.2.1. Writing series
 - 1.2.2. Assessment criteria
 - 1.2.3. Publication and review
 - 1.2.4. Miscellaneous

- 1.3. Journal
 - 1.3.1. Contributions received
 - 1.3.2. Assessment and review
 - 1.3.3. Editorial office
 - 1.3.4. Themes
 - 1.3.5. Miscellaneous
- 2. Association
 - 2.1. Board meeting
 - 2.1.1. Agenda
 - 2.1.2. Questions and comments
 - 2.1.3. Miscellaneous
 - 2.2. Protocol
 - 2.2.1. Comments
 - 2.3. Governing document
 - 2.3.1. Proposal for changes
- 3. Themes
 - 3.1. What themes?
 - 3.1.1. Definition, members
 - 3.2. Technology assessment
 - 3.3. Theme 2
 - 3.4. etc
- 4. Miscellaneous

Levels 1 and 2 thus require admin access, but below that everyone can create their own topics to discuss. I will create users for everyone on the board and, for those who ask me, preferably then all 94 members! A detailed instruction manual will be available on the website: <https://stromstadakademi.org>

Below is a screenshot of our BBS as it currently looks:

Manage Forums		
Forum	Order	Controls
Akademi	1	Options
Heltt forum Sub Forums: Bidrag, kommentarer	1	Options
Redaktionskommitté Sub Forums: Meriterna, Bedömningskriterier, and 2 more...	2	Options
Tidstafel Sub Forums: Policy, Meriterna bidrag, and 2 more...	3	Options
Föreningen	2	Options
Styrelsen Sub Forums: Dugörning, Frågor och kommentarer	1	Options
Protokoll Sub Forums: Kommentarer	2	Options
Styrdokument Här finns stadgar, etik policy, delegationsordning, arbetsbeskrivningar etc	3	Options
Temat	3	Options
Vilka teman? Här diskuteras vilka teman vi ska ha	1	Options
Tekniskvårdning	2	Options
Övrigt	4	Options
Användning av forum Här säger vi oss om hur man kan använda detta diskussionsforum	1	Options

Per Flensburg: Our new homepages

Our new homepages

As of August 7, we have a new website intended for members of the Academy. You can find it at <https://stromstadakademi.org> It is designed to meet members' needs and all advertising text, images and other bling-bling are gone. On the first page there are direct links to the most important pages. At the same time, as usual, there are menus where you can navigate to the desired page. If you want any more links on the front page, just let us know. It is easily fixed.

The current page, <http://stromstadakademi.se> is no longer updated so all members are advised to use the new one.

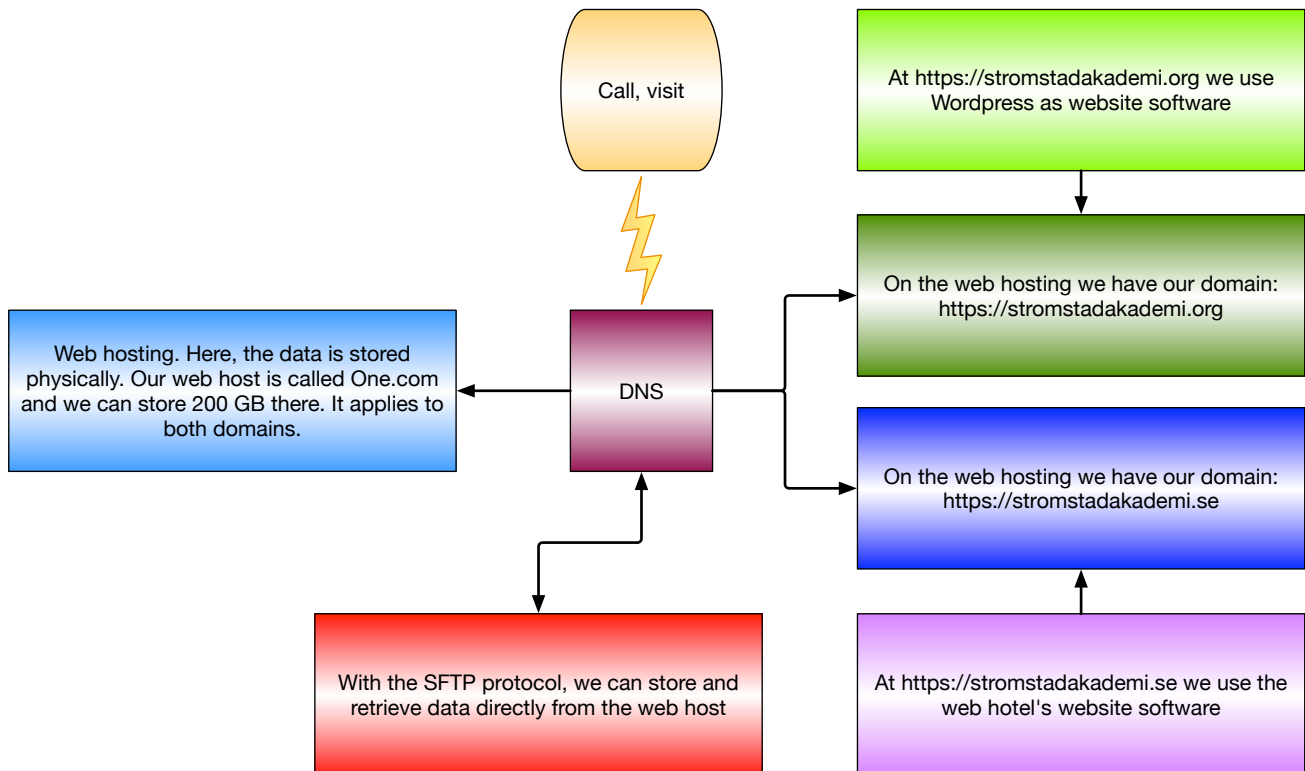
On the new page there are two new functions/features: A calendar and a discussion forum. The calendar is intended to replace what was previously under "Current" in the right margin. Now the calendar is in the menu instead. Everyone can read, but you must log in to add new entries to the calendar. Everyone on the Board will get login information and if any of you want it, just let them know.

Marylou and I are working on updating the content but if you find something that isn't right, well then you know what to do! The discussion forum is separate from Wordpress but there is a link to it from the website. There is also an instruction manual on the website. Don't hesitate to use the forum because then maybe we can have a lively discussion without email chaos.

The external page that addresses the public will have almost the same address as the current one, namely: <https://stromstadakademi.se>. The fact that the address starts with https instead of http means that the content on the hard drive is encrypted and thus somewhat more secure than if it were unencrypted. In connection with the change, the page will be down for about 24 hours because all address lists on the entire internet must be updated so that the address points to the right place. The change will take place at the beginning of September as there are members who must have a working city address until September.

Technically, it works roughly as in the figure next page. We have a web host that provides us with two things: firstly a space to store our data, secondly a connection to the internet. The space is currently 200GB, which is roughly double our current space. Through some protocols (FTP, SFTP, SSH) we can directly enter data into our web hosting. The connection to the internet takes place through something called DNS (Domain Name Server), which can be compared to a telephone switchboard. When I visit a page on the Internet, the address of the page is stored, translated into a unique number (IP number) and then a connection is opened to my own computer's IP number and data is exchanged in small packets of a few kilobytes. The packages can take different paths and they are put together at the recipient.

The address is hierarchically structured. At the back we have the top level domain. There are a few hundred of these and they cannot be changed. In our case, we have .se and .org as top domains on our websites. Each domain costs money: from about a hundred Swedish kroner up to several thousand. In front of the top-level domain, we have the domain itself, in our case stromstadakademi.org or stromstadakademi.se. A subdomain can then be added to these, for example publikationer.stromstadakademi.org if we would like to store our publications in a special place. And of course you can specify multiple subdomains and even subsubdomains. We'll probably keep it pretty simple and avoid subdomains.



All data communication with the web host goes through a DNS server and addresses a specific domain. In this domain, you mainly store two kinds of documents: website documents and data documents. Our publications and our newsletter are examples of data documents. Our websites are, of course, website documents. There are also certain governing documents, but we can ignore them in this context. On our internal site stromstadakademi.org we use a program called Wordpress to create our website. It's the same program we use now. It is made especially for managing documents of various kinds, so-called Content Management System (CMS). Our external site stromstadakademi.se is built with a website program that our web host provides. This is more suitable for companies and there is an option to connect to a webshop with payment via credit card. It is another advantage compared to current web hosting.

The advantage of these arrangements is that we can refine the purpose of our websites. [Stromstadakademi.se](https://stromstadakademi.se) can be refined to describe the Academy, while stromstadakademi.org can be organized so that it becomes effective for the members. However, some information is common: List of members, publications and newsletters. Here, it is important to think carefully so that information is not stored in several places, because then there will surely be errors sooner or later. It must also be easy to update, which entails strict rules for naming documents. All this will be described on the website.

So I would like to urge you to go through the website, use the discussion forum, check the calendar and above all: Give me and Marylou feedback!

